



Grille gate With integrated emergency gate

Robur's grille gate with integrated emergency gate is used as protection against unauthorized admission daytime, when the strongroom door is in an open position.
The grille gate can be produced in other widths on special order.



Painted in grey, RAL 9006.



The main grille gate is standard equipped with two mechanical key locks that can be locked and unlocked from both sides.

The integrated emergency gate is standard equipped with a mechanical key lock that can be locked and unlocked from both sides.



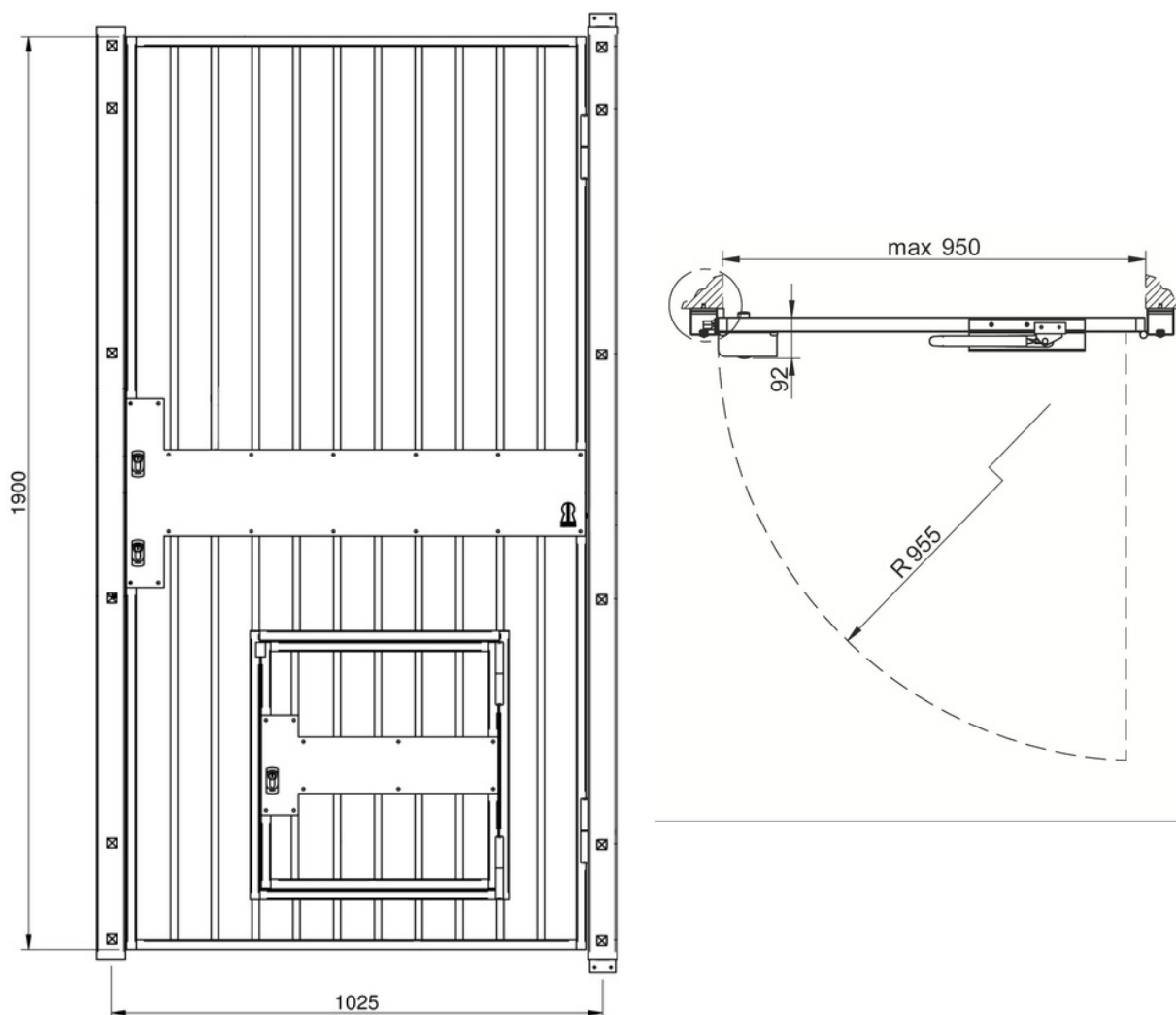
The grille gate frame consists of two square profiles 60 * 60mm.



Left hung grille gate can be fitted to right hung strongrooms door and vice versa.

WEIGHT AND MEASUREMENTS

Grille gate 950 with integrated emergency gate	
Height mm	1900
Clear width mm	950
Total width mm incl. frame profiles	1087
Weight kg	50



We reserve the right to alter the specification without prior notice.



Head office:
Robur Safe AB
Lundbyvägen 8
311 68, Slöinge
Sweden

+ 46 346 260 260
info@robursafe.com
www.robursafe.com